




Highlights

- Constant Force (CF™) patented lift-and-pivot motion technology produces smooth adjustment 
- Position your notebook screen for maximum ergonomic comfort to relieve eye, neck and back strain
- Free up a significant area of unused work space
- 13" (330 mm) vertical range
- Internal cable management routes cables neatly under Arm
- Easy set-up and use
- 5-year warranty

Ergotron® LX

Notebook Desk Mount Arm and LX Dual Arm



More motion. Less effort. Feel the difference.

Make the most of your valuable workspace with Ergotron's LX Desk Mount Arms. Lifting your notebook computer and/or display off the desktop reclaims workspace and positions the screen to relieve eye, neck and back strain. Choose between our single or dual arm configurations. These ingenious accessories enable you to customize your workspace to meet your specific needs. Create a productive side-by-side dual display solution or simply lift your notebook computer off a desktop for more comfortable viewing.

- Effortlessly lift your notebook to eye level and free up your worksurface
- Use notebook with or without docking station
- Works with standard notebooks and convertible tablet computers
- Share your notebook display



Enhance productivity by increasing monitor screen space with our dual arm configuration.



Lift both the notebook computer and docking station off the workspace to reclaim valuable surface area. Cables are guided along underside of arm for a clutter-free work area.



Desk clamp base uses little space yet ensures stability even as notebook is adjusted.



LX Notebook Arm mounting plate can be adjusted to fit a variety of notebook computer sizes.



Attach LX Arm at any height on pole.

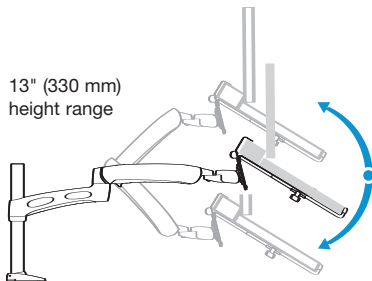


desk clamp

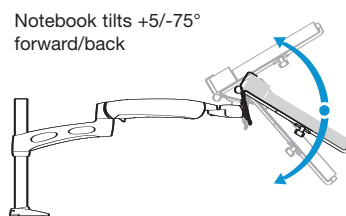


grommet mount

Range of Motion

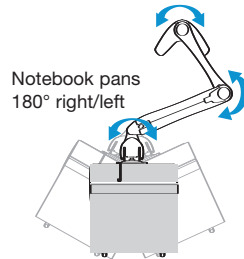


13" (330 mm) height range

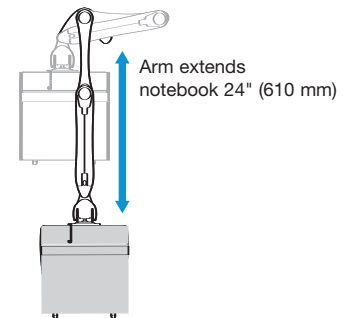


Notebook tilts +5/-75° forward/back

Arm rotates 360° around pole; rotate only 180° with Dual Arms



Notebook pans 180° right/left



Arm extends notebook 24" (610 mm)

Basic Specifications

LX Dual Desk Mount Arm (includes desk clamp, grommet mount, 1 pole, 2 LCD arms, 1 notebook tray)

Commercial Part Number: 28-512-194 (silver)
28-512-195 (black)

Grommet Mount Total Weight Capacity: 40 lbs (18.1 kg)
Rotation around pole: 180°

Desk Mount Total Weight Capacity: 20 lbs (9.1 kg)
Rotation around pole: 180°

Shipping Weight: 24 lbs (10.9 kg)

LX Desk Mount Notebook Arm (includes desk clamp, grommet mount, 1 pole, 1 LCD arm, 1 notebook tray)

Commercial Part Number: 45-192-194 (silver)
45-192-195 (black)

Weight Capacity: 2.5-12 lbs (1.14-5.45 kg)
Shipping Weight: 11 lbs (5 kg)

Warranty: 5 years

Attachment Options:

Desk Mount (clamp and grommet bases included): clamp to surfaces 1/2-1-7/8" (13-48 mm) thick or grommet mount through holes 5/16-2" (8-51 mm) wide and up to 2-1/2" (64 mm) thick.

© 2006 Ergotron, Inc. rev. 11/29/2006 870-05-062 Content is subject to change without notification.

Americas Sales and Corporate Headquarters

St. Paul, MN USA
(800) 888-8458
+1-651-681-7600
www.ergotron.com
sales@ergotron.com

EMEA Sales

Amersfoort, The Netherlands
+31 33 45 45 600
www.ergotron.com
info.eu@ergotron.com

APAC Sales

Singapore
www.ergotron.com
info.apac@ergotron.com

Worldwide OEM Sales

www.ergotron.com
info.oem@ergotron.com

